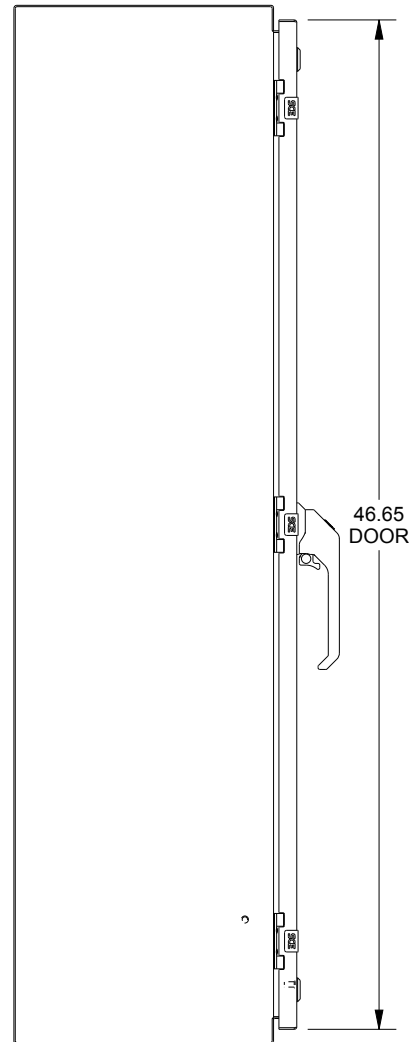
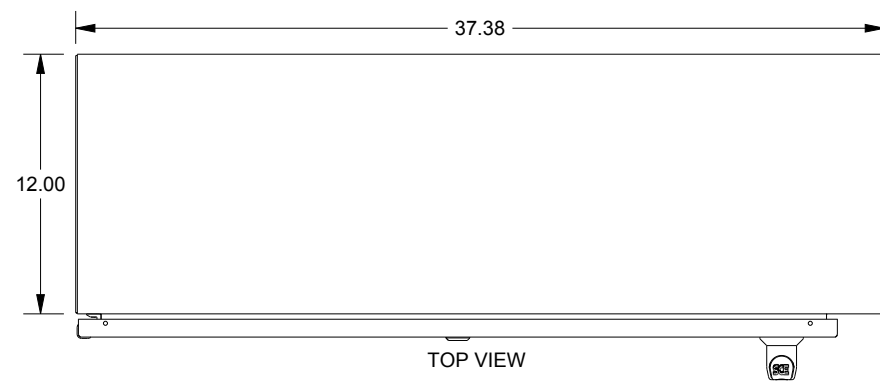
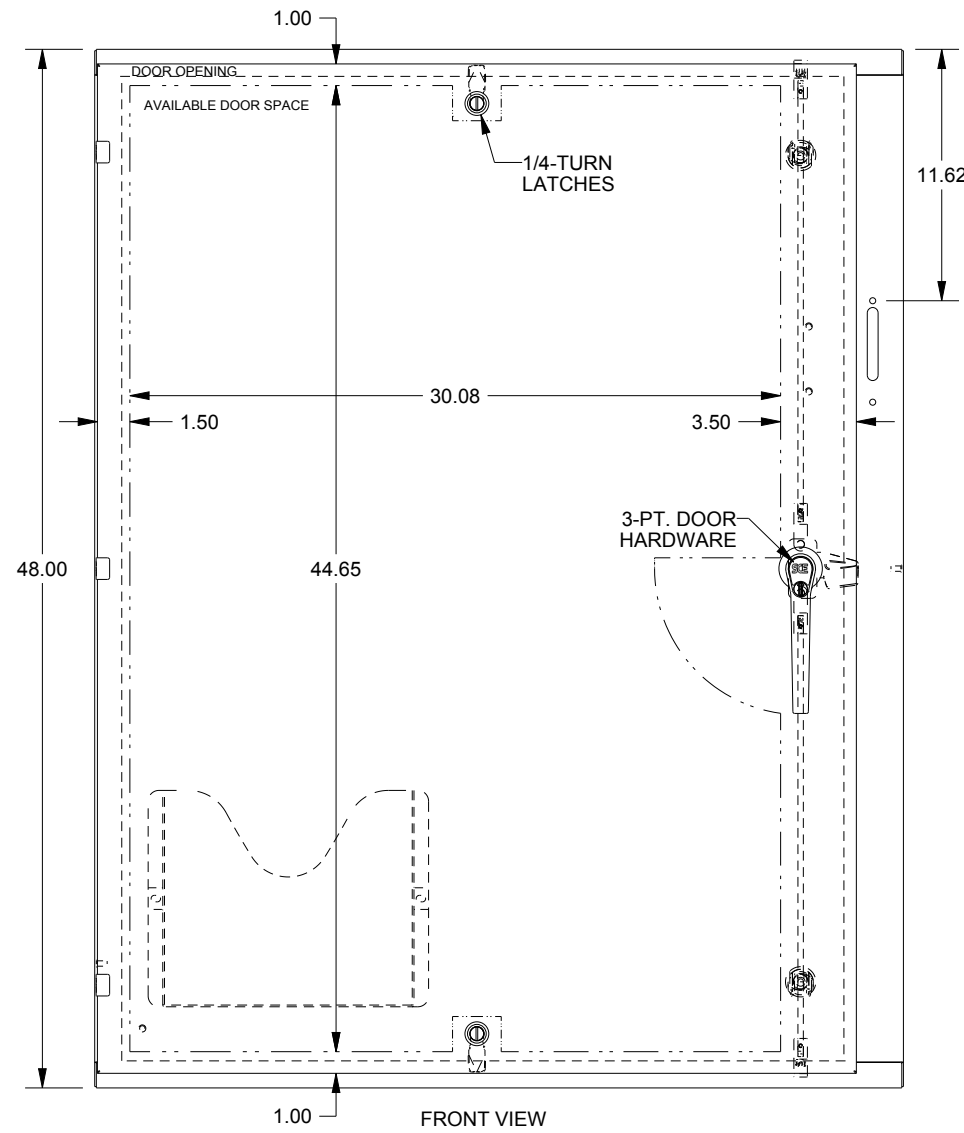


# SAGINAW CONTROL & ENGINEERING

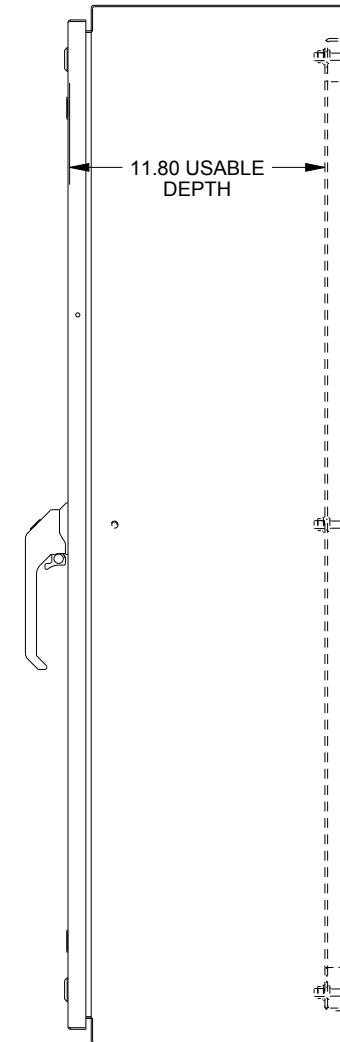
SCE-48XEL3712LP = SCE-09 GRAY  
 SCE-48XEL3712LPLG = RAL 7035



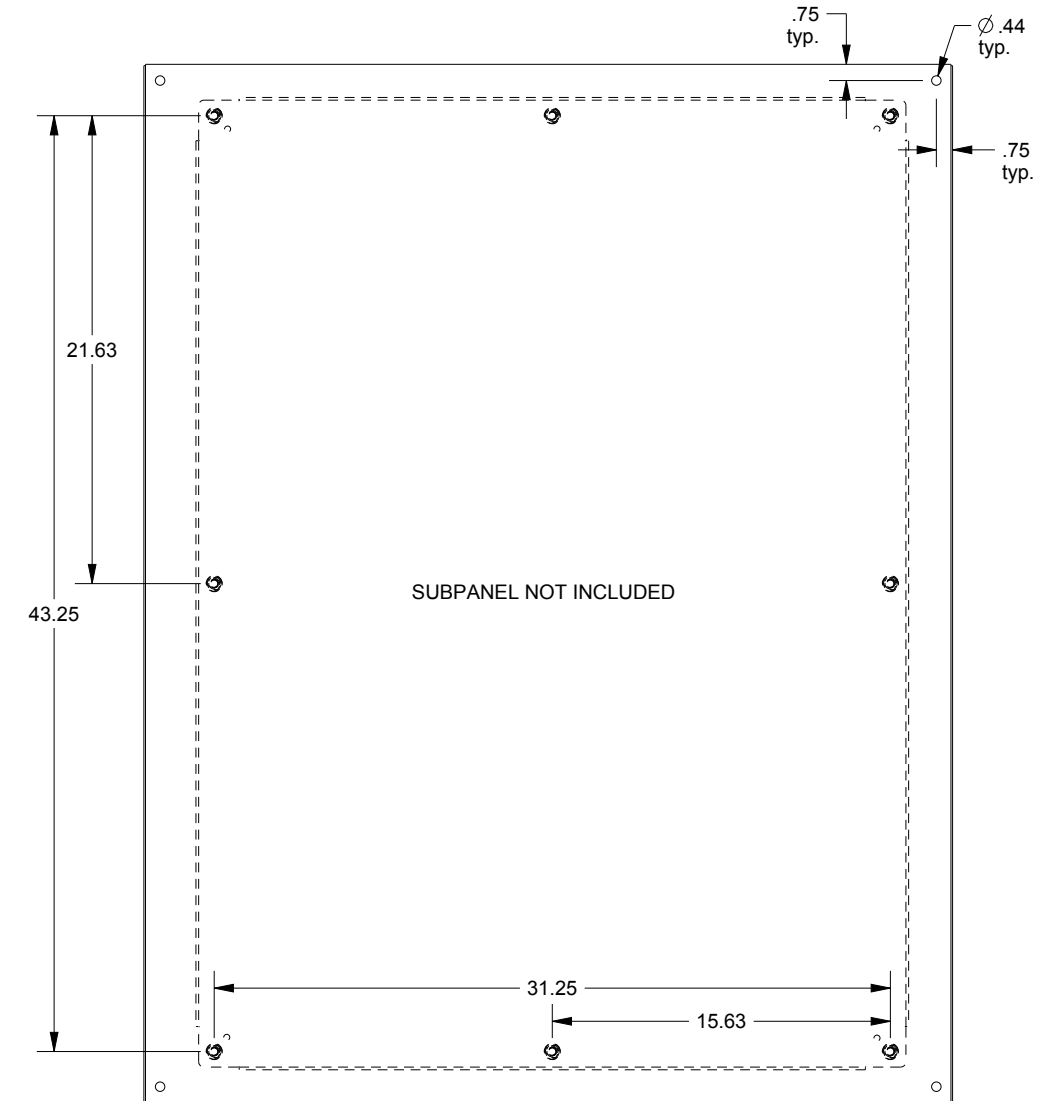
LEFT SIDE VIEW



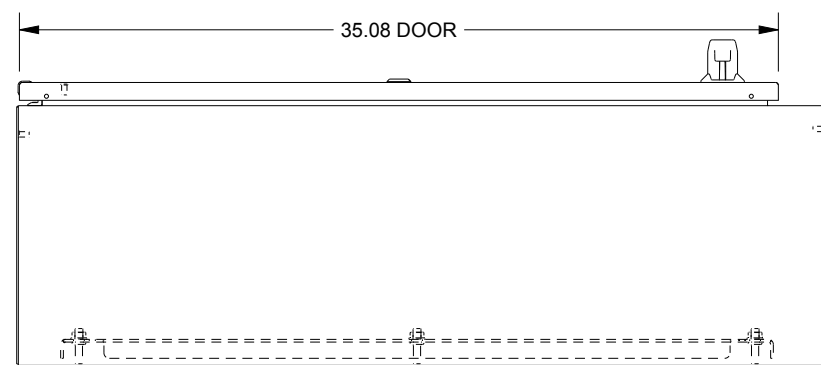
FRONT VIEW



RIGHT SIDE VIEW



EXTERNAL REAR VIEW



BOTTOM VIEW